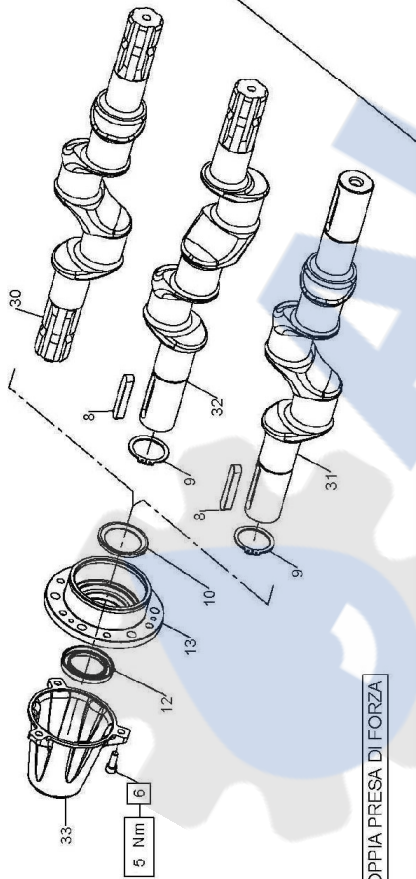
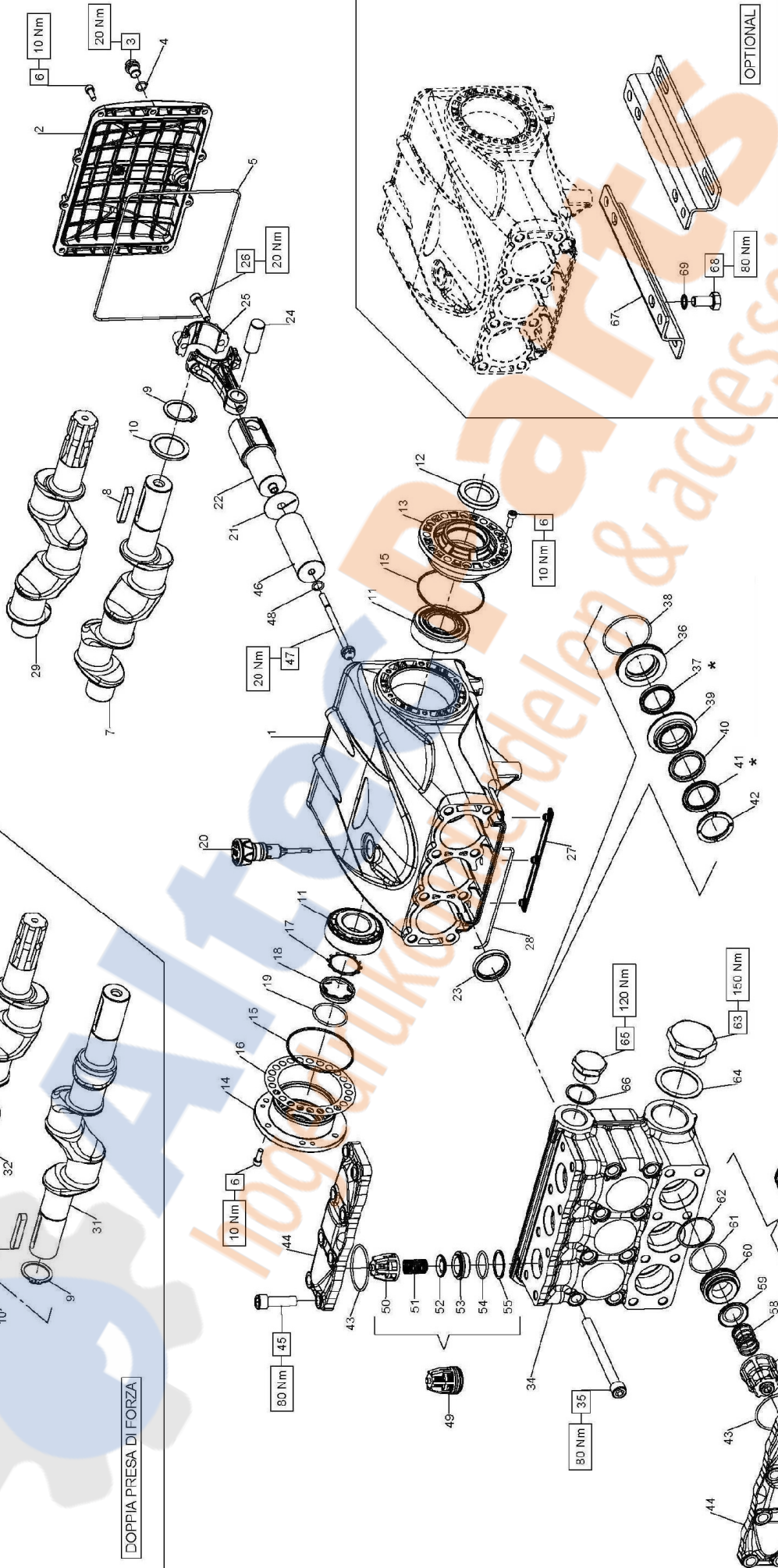


- * Lubrificare con grasso di vaselina
- * To lubricate with vaseline grease
- * Lubrifier avec gras des vaseline
- * Sich mit fett zum vaselin schmieren
- * Para lubricar con la grasa de vaselina
- * Para lubricar con a graxa de vaselina



DOPPIA PRESA DI FORZA



OPTIONAL

CON ALBERO A DOPPIA PRESA DI FORZA
WITH DOUBLE-SIDED SHAFT

DIS. COD. 68.9500.00



AB80 – AB90
AB100 – AB110
AB120 – AB140
AB150 – AB180

KIT RICAMBI – SPARE KITS

| KIT NR. | KIT 295 | KIT 296 | KIT 297 | KIT 298 | KIT 299 | D. 40 | D. 45 | D. 50 |
|---|---|---|---------|---------|--------------------------|--------------------------|--------------------------|--------------------------|
| Posizioni include Positions included | 43 – 50 51 – 52 53 – 54 55 (49) | 43 – 57 58 – 59 60 – 61 62 (56) | 23 | 12 | 37 – 38 40 – 41 42 | 37 – 38 40 – 41 42 | 37 – 38 40 – 41 42 | 37 – 38 40 – 41 42 |
| Nr. Pcs. | 3 | 3 | 3 | 2 | 3 | 3 | 3 | 3 |

| D. 36 | D. 40 | D. 45 | D. 50 |
|--------------|----------------|----------------|----------------|
| AB80 AB90 | AB100 AB110 | AB120 AB140 | AB150 AB180 |

| POS | COD. | DESCRIZIONE – DESCRIPTION – KIT | NR |
|-----|------------|-------------------------------------|---------|
| 24 | 97.7425.00 | Spinotto D. 18x45 | 3 |
| 25 | 68.0300.01 | Biella completa | 3 |
| 26 | 99.3099.00 | Vite serraggio biella | 6 |
| 27 | 68.2106.51 | Protezione | 1 |
| 28 | 68.2107.82 | Guarnizione spugna D. 3x190 | 1 |
| 29 | 68.0201.35 | Albero ecc. C.45 1-3/8" ASAE | 1 |
| 30 | 68.0203.35 | Albero ecc. C.45 D.PTO 1-3/8" ASAE | 1 |
| 31 | 68.0202.35 | Albero ecc. C.45 D.PTO | 1 |
| 32 | 68.0204.35 | Albero ecc. C.45 D.PTO 1-3/8"-D. 35 | 1 |
| 33 | 68.2108.51 | Protezione codolo D.PTO | 1 |
| 34 | 68.1200.13 | Testata pistone D. 36 | 1 |
| | 68.1201.13 | Testata pistone D. 40 | 1 |
| | 68.1202.13 | Testata pistone D. 45 | 1 |
| | 68.1203.13 | Testata pistone D. 50 | 1 |
| 35 | 99.4466.00 | Vite M12x130 5931 8.8 Zinc. | 8 |
| 36 | 68.0800.70 | Anello di fondo D. 36 | 3 |
| | 68.0801.70 | Anello di fondo D. 40 | 3 |
| | 68.0802.70 | Anello di fondo D. 45 | 3 |
| | 68.0803.70 | Anello di fondo D. 50 | 3 |
| 37 | 90.2798.00 | Anello ten. alt. D. 36x4x5.5 LP | 299 |
| | 90.2846.00 | Anello ten. alt. D. 45x5x5.5 LP | 301 |
| | 90.2860.00 | Anello ten. alt. D. 50x5x5.5 LP | 302 |
| | 90.2828.00 | Anello ten. alt. D. 40x4x5.5 LP | 300 |
| 38 | 90.3900.00 | OR D. 58.42x2.62 – D. 36-40 | 299-300 |
| | 90.3907.00 | OR D. 63.17x2.62 – D. 45-50 | 301-302 |
| 39 | 68.2100.70 | Anello intermedio D. 36 | 1 |
| | 68.2101.70 | Anello intermedio D. 40 | 1 |
| | 68.2102.70 | Anello intermedio D. 45 | 1 |
| | 68.2103.70 | Anello intermedio D. 50 | 1 |
| 40 | 90.2838.00 | Anello RESTOP D. 40x55x8/4.5 | 300 |
| | 90.2865.00 | Anello RESTOP D. 50x65x8/4.5 | 302 |
| | 90.2818.00 | Anello RESTOP D. 36x48x6/3 | 299 |
| | 90.2848.00 | Anello RSETOP D. 45x60x6.5/3 | 301 |

| POS | COD. | DESCRIZIONE – DESCRIPTION – KIT | NR |
|-----|------------|---------------------------------|------|
| 1 | 68.0100.22 | Carter pompa | 1 |
| 2 | 68.1600.22 | Coperchio posteriore | 1 |
| 3 | 98.2042.50 | Tappo G 1/4"x9 TE17 - Zinc. | 1 |
| 4 | 90.3585.00 | OR D. 10.82x1.78 | 1 |
| 5 | 90.3948.00 | OR D. 209.22x2.62 | 1 |
| 6 | 99.1854.00 | Vite M6x16 5931 8.8 Zinc. | 22 |
| 7 | 68.0200.35 | Albero ecc. C.45 | 1 |
| 8 | 91.4978.00 | Linguetta 10x8x55 UNI 6604 | 1-÷2 |
| 9 | 90.0695.00 | Anello seeger D. 35 UNI 7435 | 1-÷2 |
| 10 | 68.2105.54 | Distanziale cuscinetto | 1-÷2 |
| 11 | 91.8473.00 | Cuscinetto a rulli conici 32207 | 2 |
| 12 | 90.1672.00 | Anello rad. D. 35x52x7 | 298 |
| 13 | 70.1500.22 | Coperchio laterale lato PTO | 1-÷2 |
| 14 | 70.1501.22 | Coperchio laterale lato spia | 1 |
| 15 | 90.3915.00 | OR D. 80.6x2.62 | 2 |
| 16 | 70.2200.81 | Spessore 0.1 mm. | - |
| | 70.2203.81 | Spessore 0.25 mm. | - |
| 17 | 90.0756.00 | Anello d'arresto ZJ45 | 1 |
| 18 | 70.2118.01 | Spia livello olio | 1 |
| 19 | 90.3877.00 | OR D. 39.34x2.62 | 1 |
| 20 | 98.2115.00 | Tappo con asta D. 21.5x70 | 1 |
| 21 | 96.7099.00 | Rosetta D. 10x45x1 | 3 |
| 22 | 68.0500.22 | Guida pistone | 3 |
| 23 | 90.1676.00 | Anello rad. D.36x47x7 | 297 |

| POS | COD. | DESCRIZIONE – DESCRIPTION – KIT | NR |
|-----|------------|-----------------------------------|---------|
| 41 | 90.2820.00 | An. ten. alt. D. 36x48x6/3.5 HP | 299 |
| | 90.2832.00 | An. ten. alt. D. 40x55x7.5/4.5 HP | 300 |
| | 90.2863.00 | An. ten. alt. D. 50x65x7.5/4.5 HP | 302 |
| | 90.2850.00 | An. ten. alt. D. 45x60x7.5/4.5 HP | 301 |
| 42 | 71.1002.51 | Anello di testa D. 36 | 299 |
| | 71.1003.51 | Anello di testa D. 40 | 300 |
| | 68.1000.51 | Anello di testa D. 50 | 302 |
| | 76.1002.51 | Anello di testa D. 45 | 301 |
| 43 | 90.3893.00 | OR D. 53.65x2.62 | 295-296 |
| 44 | 68.2104.22 | Coperchio valvole | 2 |
| 45 | 99.4305.00 | Vite M12x40 5931 8.8 Zinc. | 16 |
| 46 | 71.0404.09 | Pistone D. 36x95 | 3 |
| | 71.0405.09 | Pistone D. 40x95 | 3 |
| | 68.0400.09 | Pistone D. 45x95 | 3 |
| | 68.0401.09 | Pistone D. 50x95 | 3 |
| 47 | 71.2195.66 | Vite fissaggio pistone | 3 |
| 48 | 90.3671.00 | OR D. 11x2 | 3 |
| 49 | 36.7206.01 | Gruppo valvola di mandata | 295 |
| 50 | 36.2009.51 | Guida valvola di mandata | 295 |
| 51 | 94.7450.00 | Molla Dm. 16x27.5 INOX | 295 |
| 52 | 36.2010.76 | Valvola sferica | 295 |
| 53 | 36.2048.66 | Sede valvola di mandata | 295 |
| 54 | 90.3865.00 | OR D. 29.82x2.62 | 295 |
| 55 | 90.5178.00 | Anello antiest. D.31x35.5x1.5 | 295 |
| 56 | 36.7205.01 | Gruppo valvola d'aspirazione | 296 |
| 57 | 36.2045.51 | Guida valvola d'aspirazione | 296 |
| 58 | 94.7541.00 | Molla Dm. 24.7x31 | 296 |
| 59 | 36.2115.76 | Valvola sferica | 296 |
| 60 | 36.2116.66 | Sede valvola d'aspirazione | 296 |
| 61 | 90.3880.00 | OR D. 42.52x2.62 | 296 |
| 62 | 90.5233.00 | Anello antiest. D. 43.5x48x1.5 | 296 |
| 63 | 98.2441.00 | Tappo G 1-1/2"x20 Zinc. | 1 |
| 64 | 96.8020.00 | Rosetta D. 48x60x1.5 | 1 |
| 65 | 98.2325.00 | Tappo G 1"x17 Zinc. Zinc. | 1 |
| 66 | 96.7870.00 | Rosetta D. 33.5x38x1.5 | 1 |
| 67 | 76.2000.74 | Piedino pompa | 2 |
| 68 | 99.4266.00 | Vite M12x25 5739 8.8 Zinc. | 4 |
| 69 | 96.7195.00 | Rosetta D. 13x18x1.1 | 4 |